



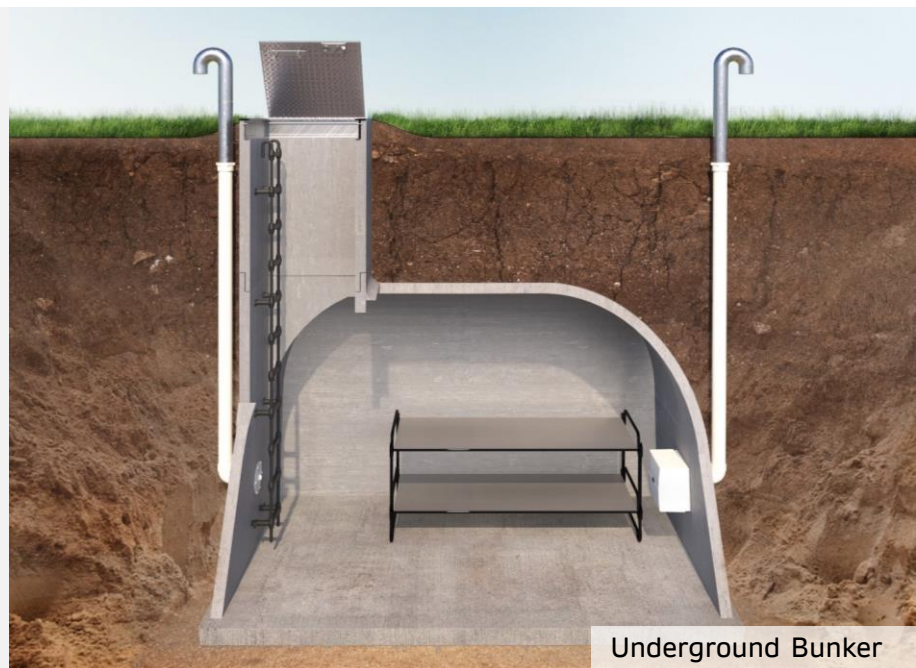
## SAFE 360

Professional air filtration and ventilation system deigned for suppling fresh air, filtered from harmful gases and particles and creation overpressure in air-tight shelters, bunkers, safe rooms and more.

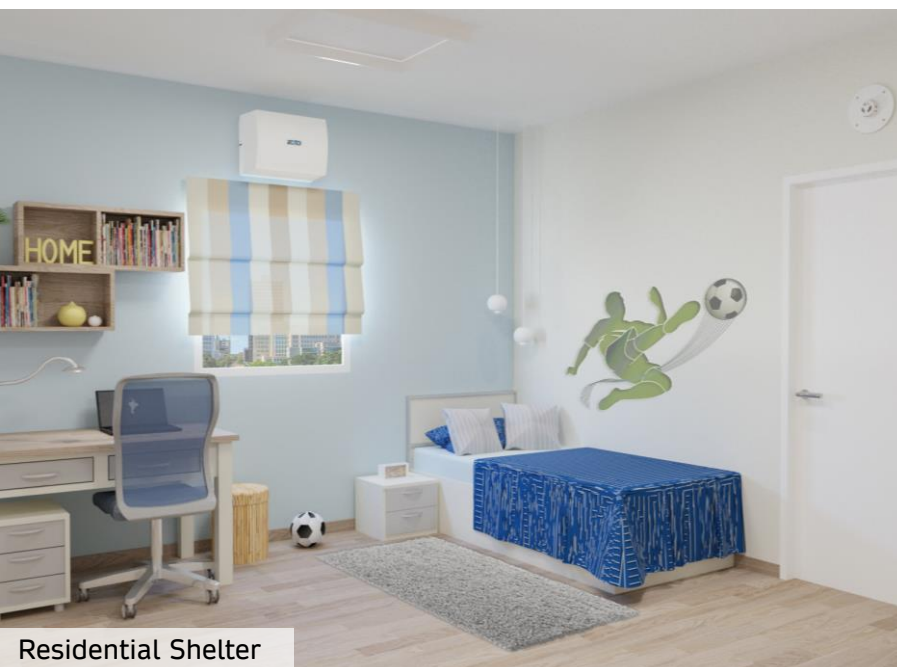
Safe Room / Shelter

### Highlights

- Tested and certified
- Compact and Cost-effective
- For shelters up to 36 m<sup>3</sup>/h air volume
- 100-240v/12v/manual operation
- Installed in tens of thousands of shelters



Underground Bunker



Residential Shelter

### Compliance

- Standard **SI4570** (Air Ventilation and Filtration Systems for Shelters and Protected Spaces)
- Civil Defence Command



## SAFE 360 KIT



### Main Components

1. CBRN filter (combined carbon + HEPA filter)
2. Electric Blower (12v DC)
3. Adapter from DC to 100-240v AC
4. Manual backup
5. Blast valve with prefilter
6. Overpressure blast valve with indicator
7. Decorative case + wall bracket
8. Clean air hose

### CBRN Filtration mode – Operation Video

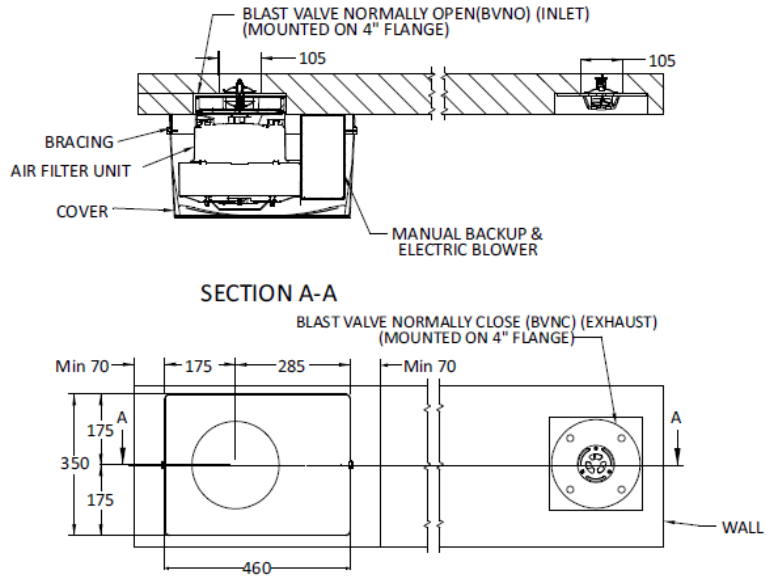
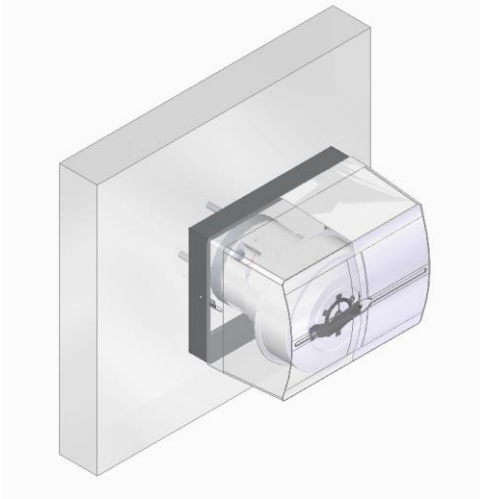
<https://youtu.be/G1z5tI-Fr0k?feature=shared>

### Ventilation mode – Operation Video

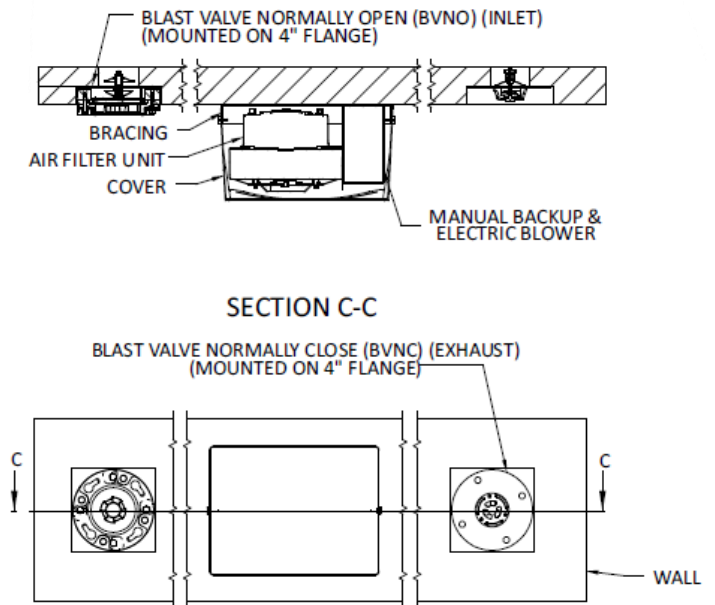
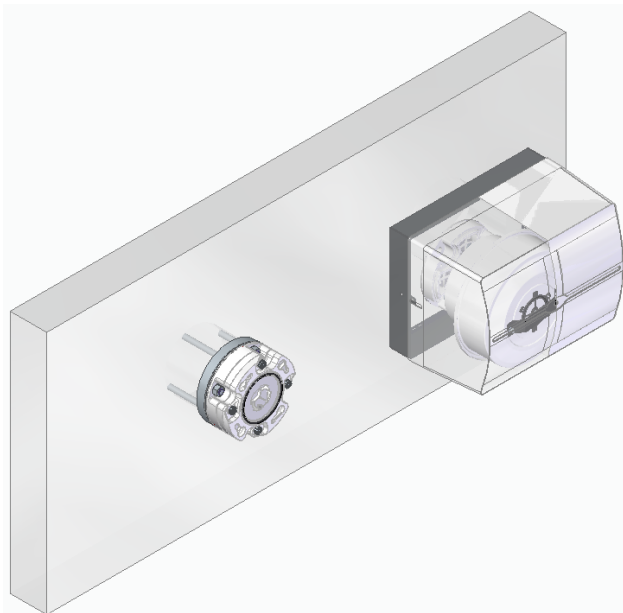
<https://youtu.be/jvcZwVhWaCo?feature=shared>

# INSTALLATION OPTIONS

## Option I - Flange and the blast valve under the cover



## Option II - Flange with blast valve outside the cover



Product design and technical specifications are subject to change without notice or obligation.

## TECHNICAL SPECIFICATIONS

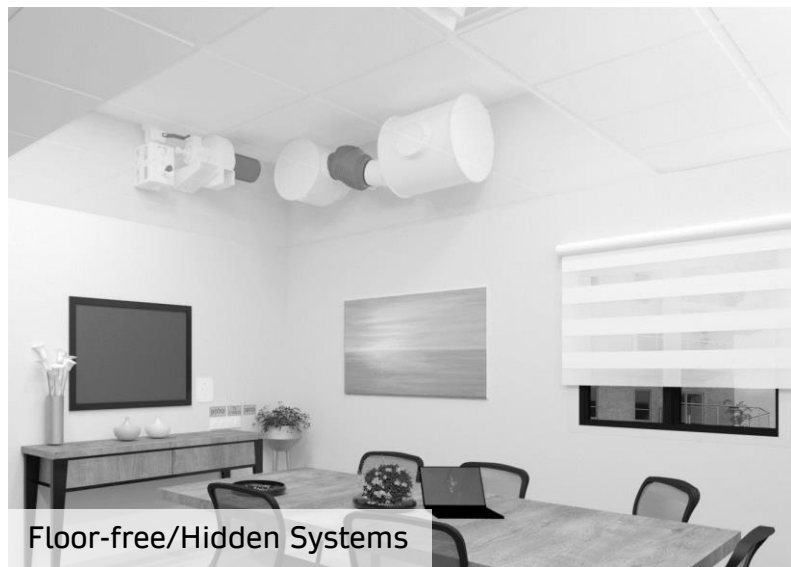
Item	Value	Units
<b>Blast Valve (BVNO 50 4L) – Air Entrance</b>		
Returned Pressure durability	>900 (9)	kPa (bar)
Pressure drop (Ventilation mode)	20	mmWc
Pressure drop (Filtration mode)	9,5	mmWc
<b>CBRN Filter (AFU 36)</b>		
Airflow rate (nominal)	36	m <sup>3</sup> /h
Initial Pressure Drop @ nominal	46	mmWc
Total filter weight	7	kg
Mechanical filtration efficiency	≥99.995	%
<b>Electric Blower (EBL 180)</b>		
Airflow (Ventilation mode)	54	m <sup>3</sup> /h
Airflow (CBRN filtration mode)	36	m <sup>3</sup> /h
Pressure drop (Filtration mode)	72	mmWc
Pressure drop (Filtration mode)	98	mmWc
Electric motor / Adapter voltage	12 DC / 100-240 AC	V
Electric motor current	3,3	A
Manual operation (backup)	1	Person
Frequency	50/60	Hz
<b>Overpressure Blast Valve (BVNC 300 8Y) – Air Exhaust</b>		
Returned Pressure durability	>900 (9)	kPa (bar)
Pressure drop (Ventilation mode)	22,5	mmWC
Pressure drop (Filtration mode)	6,5	mmWC

Product design and technical specifications are subject to change without notice or obligation.

# OUR RANGE OF CBRN FILTRATION SYSTEMS



Safe Room Systems



Floor-free/Hidden Systems



Floor-mounted Systems



Filtering Batteries

# ATMAS

Experts in Shelters and  
Protective Technologies



Atmas Group Oy

Sturenkatu 26,

00510 Helsinki, Finland

Tel: +358 44 9843373

Email: [info@atmas-tech.com](mailto:info@atmas-tech.com)

Web: [www.atmas-tech.com](http://www.atmas-tech.com)

**Disclaimer:** This document is not a recommendation or a substitute for dedicated professional advice. The images are for illustration purposes only and all technical, functional and other product specifications are subject to change without notice or obligation.